

SLDF 2/2-way Series(Under Water)Special Purpose Solenoid Valve

●The Professional Solenoid Valves Manufactory

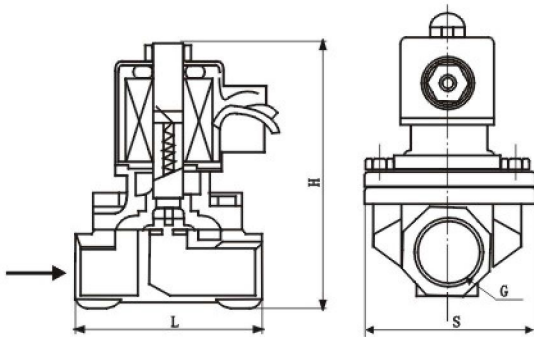
Description

SLDF series solenoid valve provides on-off control of fluid media on auto-control system. This series is designed for music fountain and dancing fountain.

SLDF series is direct acting solenoid valve which utilize pressure differential to open the valve. They feature diaphragm construction, and together with rapid on-off, stable capability, easy use, and long-life. This valve has strong dirty-tight, can be used long time in river lake sea and kinds of made water areas.



Construction Dimensions Chart



Technical Parameter

1	Ambient Temp.	-10℃~50℃		
2	Operating Pressure	≤ φ50 0~0.6MPa > φ65 0.06MPa~0.5MPa		
3	Fluid Media	Water		
4	Fluids Temp.	0℃~60℃		
5	Body Material			
5	Voltage	φ 25以上φ65以上	AC 220V 28VA、DC24V 33W	
		φ 32/40/50	AC 220V 35VA、DC24V 40W	
6	Coil Class	B Class	Degree of protection	IP68
7	Voltage Tolerance	-10%~+10%		
8	Life-span	200000 Times		
9	Response Times	10 Times/second		
10	Amounting Position	Flow as the arrow		

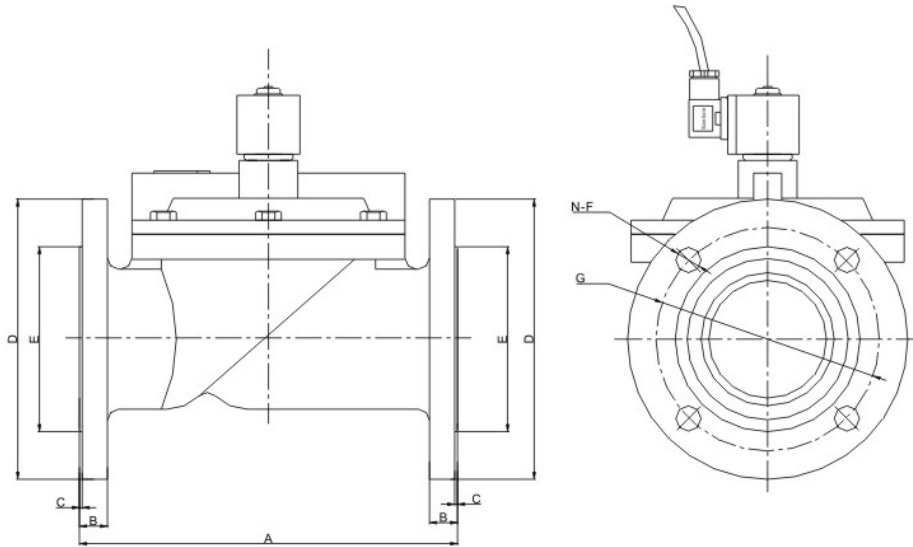
Specifications

Model code	L (mm)	H(mm)	Pipe Size	Body material
SLDF-15	69	117	G 1/2"	Brass
SLDF-20	73	123.5	G 3/4"	
SLDF-25	99	134.5	G 1"	
SLDF-35	112	172	G 1.1/4"	
SLDF-40	123	172	G 1.1/2"	
SLDF-50	168	209	G 2"	
SLDF-15B	69	117	G 1/2"	Stainless Steel
SLDF-20B	73	123.5	G 3/4"	
SLDF-25B	99	134.5	G 1"	
SLDF-35B	112	172	G 1.1/4"	
SLDF-40B	123	172	G 1.1/2"	
SLDF-50B	168	209	G 2"	
SLDF-15S	69	117	G 1/2"	Plastic
SLDF-20S	73	123.5	G 3/4"	
SLDF-25S	99	134.5	G 1"	

SLDF 2/2-way Series UnderWater Solenoid Valve

●The Professional Solenoid Valves Manufactory

Flange structure size



Model code	A	B	C	D	E	F	G	N	Body Material
SLDF-65F	185	20	2	185	118	18	145	4	Cast Iron
SLDF-80F	200	20	2	200	132	18	160	4	
SLDF-100F	220	20	2	220	160	18	180	8	
SLDF-150F	285	24	2	285	212	22	240	8	